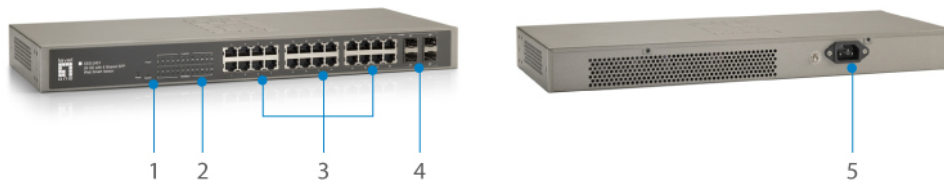




24 GE with 4 Shared SFP Web Smart Switch

LevelOne GES-2451 is a powerful, high-performance Gigabit Ethernet switch with 24 10/100/1000Mbps ports shared 4 SFP(mini GBIC) ports, providing you a cost-effective, space-saving solution for expanding your network. The gigabit ports can lead you to a real gigabit connection, making you be able to transfer high bandwidth-needed files larger and faster in an easy way. And the four gigabit SFP ports allow you to add fiber-optic connectivities for connecting to other network switches to obtain long-distance communication.

This GES-2451 device provides the easy management function, the network administrator can configure the status and the port function setting of the device through the Web-Based UI. When installing the auto-discovery management tool helps network managers to search and access those switches on LAN easily. Therefore, network managers can access switches that support autodiscovery on LAN without memorizing IP address.



1. Reset Button
2. LED Indicators
3. 10/100/1000Mbps Ports
4. SFP Slot
5. Internal Power Socket

Key Features

- 24 Gigabit Ethernet ports with 4 shared SFP slots
- Transmisión y recepción a 10/100/1000 Mbps a velocidad de cable
- IEEE 802.1d/w/s Spanning Tree Protocol (STP) y duplicación de puertos
- CdS IEEE 802.1p con 4 colas de prioridad
- Admite redes VLAN basadas en puertos, etiquetado VLAN IEEE 802.1Q
- Filtrado IP Multicast a través de indagación IGMP V1/ V2/ V3
- 10000 marcos jumbo para aumentar las velocidades de transferencia de datos
- Admite aprendizaje automático y envejecimiento automático de 8000 direcciones MAC
- Carcasa metálica de 19"
- Fuente de alimentación interna

Specifications

System Specifications

Processor:

Broadcom BCM53314S + 2 x BCM54685

Buffer Memory (KB):

4086KB

Connectors and Cabling:

24 x RJ-45 10/100/1000BASE-T ports

4 x 100/1000Base-X SFP Slots (4 shared)

Button:

Reset Button

Indicator:

Power, System, Link/Active, 1000Mbps

Transmission Method:

Store-and-Forward

Power:

Power Consumption: 23.3W

Power Input: 100-240V AC, 50-60 Hz, Internal Power Supply

Standards & Protocols:

IEEE 802.3 10-BASE-T, Ethernet

IEEE 802.3u 100-BASE-TX, Fast Ethernet

IEEE 802.3ab 1000BASE-T, Gigabit Ethernet

IEEE 802.1p Quality of Service (QoS)

IEEE 802.1Q Virtual LANs (VLANs)

IEEE 802.1D MAC Bridges

IEEE 802.1d Standard Spanning Tree Protocol (STP)

IEEE 802.1w Rapid Spanning Tree Protocol (RSTP)

IEEE 802.1s Multiple Spanning Tree Protocol (MSTP)

IEEE 802.3x Flow Control (full-duplex flow control)

Physical Specifications

Dimensions (W x D x H mm):

440 x 180 x 44 mm

Weight (g):

2288 g

Performance

Backplane (Gbps):

48Gbps

MAC Address Table:

8K

Data Transfer Rate:

10/100/1000Mbps

Packet Forwarding Rate:

1000Mbps port - 1,488,000pps

100Mbps port - 148,000pps

10Mbps port - 14,880pps

Jumbo Frame (K):

10K

Features

General:

Quality of Service (QoS):

4 hardware Priority Queues per port

Traffic classification based on IEEE 802.1p CoS, DSCP, Supports WRR, Strict scheduling, or hybrid mode

Rate Limiting - Ingress resolution; Egress resolution

Spanning Tree:

IEEE 802.1D MAC Bridges

IEEE 802.1d Spanning Tree Protocol (STP)

IEEE 802.1w Rapid Spanning Tree Protocol (RSTP)

IEEE 802.1s Multiple Spanning Tree Protocol (MSTP)

Loop/Root Guard, TC-BPDU Guard, BPDU Guard/Filter

Virtual Local Area Network (VLAN):

802.1Q tag-based VLAN - up to 4096 VLAN IDs

Security:

Storm Control:

Prevents traffic on a LAN from being disrupted by a broadcast, multicast, or unicast storm on a port

Access Control:

HTTPS; Manage VLAN assignment

Port security: access control port-based

Filtering: Port-/MAC-/IP-based security

Management:

Diagnosis:

syslog

Network:

RMON (groups 1, 2, 3 and 9) Management; SNMP v1, v2c, v3; DNS client, proxy; HTTPs

Ease of Use:

Firmware and Configuration: upgrade/downgrade via HTTP

Environment

Temperature (°C):

Operating: 0°C ~ 40°C

Storage: -40°C ~ 70°C

Humidity (Non-condensing):

Storage: 5% ~ 90%

Operating: 10 ~ 90%

Others

Approval and Compliance:

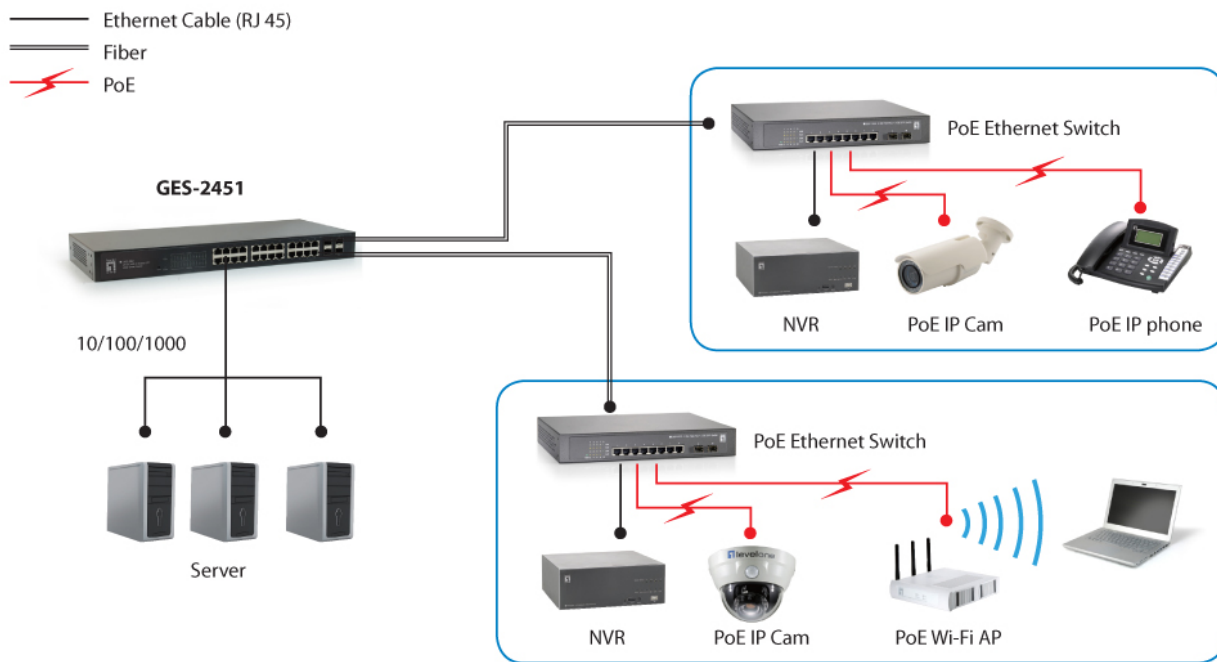
FCC Part 15 Class A, CE

Deployment:

19-inch rack-mountable



Diagrama



Order Information

GES-2451

Package Contents

Power Cord
19" Rackmount Kit
Rubber Feet
Quick Installation Guide
Resource CD (User Manual)

No liability or responsibility for any errors or omissions in the content.
Specifications are subject to change without notice.

All mentioned brand names are registered trademarks and property of their owners.
Copyright © Digital Data Communications GmbH, Germany. All Rights Reserved.