

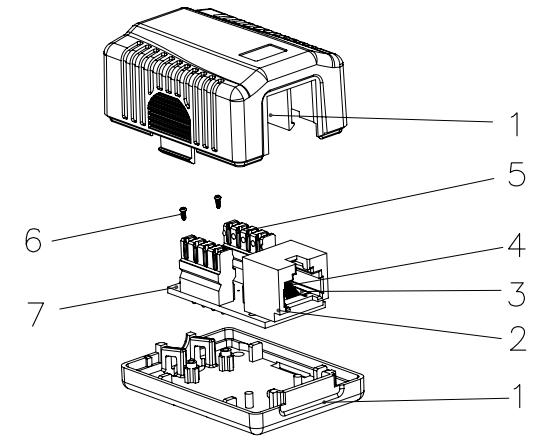
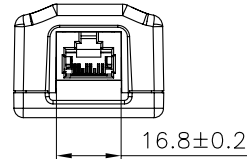
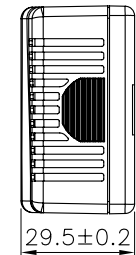
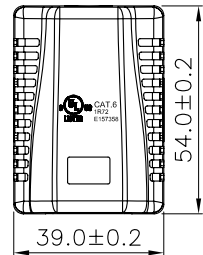
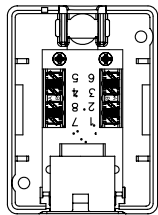
1 2 3 4 5 6

A

B

C

D



SCALE 1/2

Specification :

- Material :
1. Case : ABS, UL 94V-0.
 2. RJ45 Jack Housing : PBT+Glass Fiber, UL 94V-0, Black color.
 3. RJ45 Jack Bracket Set : PBT+Glass Fiber, UL 94V-0, Black color.
 4. RJ45 Jack Contact :
 - 4-1. Material : Phosphor Bronze with Nickel plated.
 - 4-2. Finish : 50 micro-inch Gold plated on Plug contact area.
 5. IDC :
 - 5-1. IDC Housing : PC+Glass Fiber, UL 94V-2.
 - 5-2. IDC Terminal : Phosphor Bronze with Tin plated.
 6. Screw : M2.0x6.0xφ3.3mm.
 7. PCB : FR4, UL 94V-0

- Performance :
- a. T568A & T568B wiring printing on IDC.
 - b. Insertion force : 20N max. (IEC 60603-7-4).
 - c. Retention strength : 7.7 kg between Jack and Plug.
 - d. Operating temperature : -10°C to 60°C. (ISO/IEC 11801, ANSI/TIA/EIA 568 B.2)
 - e. Life(mating cycles) :
 - *Jack : 750 cycles min. (ISO/IEC 11801, IEC 60603-7-4).
 - *IDC : Suitable for 22-26 AWG stranded and solid wire, compatible with both 110 & Krone punch down tools.
 - f. The Cat.6 transmission performance is in compliance with the ANSI/TIA/EIA 568 B.2-1 standard.



Remark : AAGCC11011430XX
(1)

(1) XX : Case Colorr
05=White, 13=Ivory.

GENERAL TOLERANCE OF DIMENSIONS X.XXX ±0.005 X.XX ±0.05 X.X ±0.1	DRAWING	22.MAY.2010	QIQI	
	CHECK	22.MAY.2010	JANE	
	APPROVAL	22.MAY.2010	JAIMY	
	DATE	NAME	ITEM NO.: AAGCC11011430XX	
SCALE	1/2 (A4)	UNIT	mm	DES.: CAT.6 UNSHIELDED BOX
	DRAWING NO.	AAGCC11011430XX JE342RC6-USM-XX(SA3)		
	DRAWING CLASSIFICATION	S	SHEET 1 OF 1	

1 2 3 4 5 6

10cm